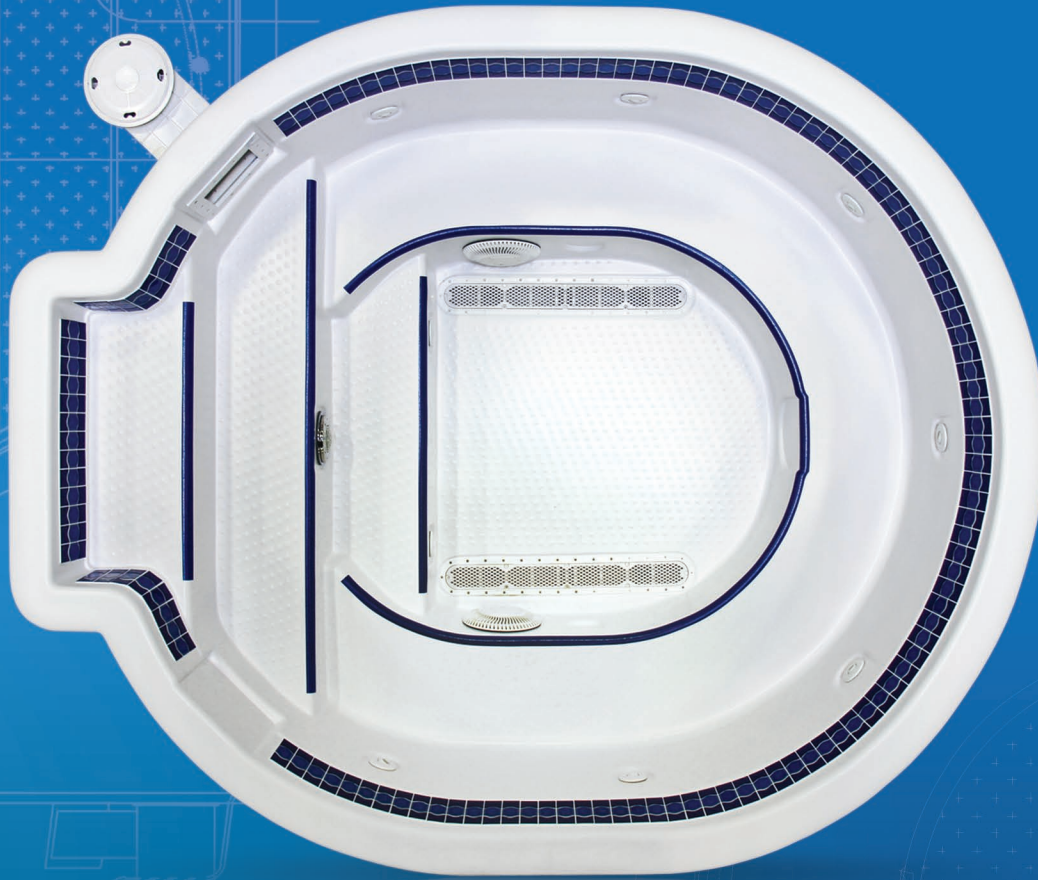




COMMERCIAL MODELS



Model C-895

Dimensions 114 x 93 x 46 in
290 x 236 x 117 cm

Min. Operational Water Capacity 420 US Gal
1591 L

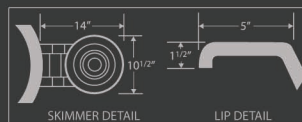
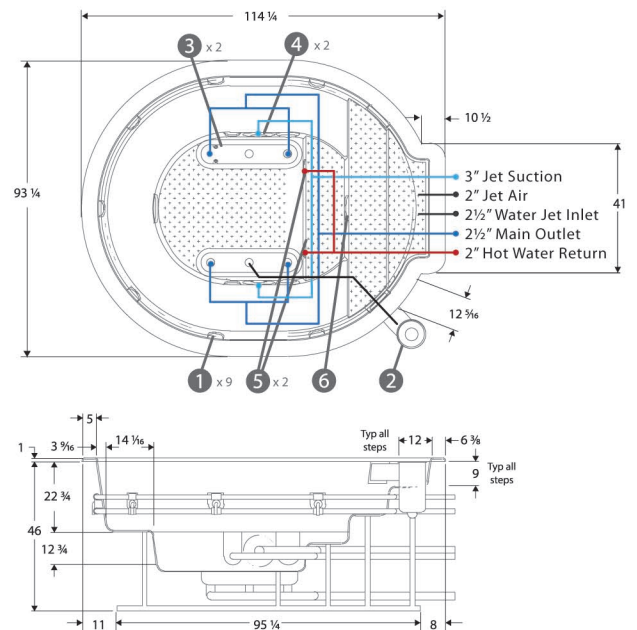
Max. Operational Water Capacity 540 US Gal
2046 L

Dry Weight 695 lbs
315 kg

Weight 5180 lbs
2349 kg

- 1 Hydro Jets 10-5100
- 2 Skimmer, Admiral
- 3 Main Air, VGB Compliant
- 4 Main Drain, VGB Compliant
- 5 Hot Water Return
- 6 Light (Optional)

Water Surface Area:
48.44 square feet



Important: Each spa installation will require regional health board approvals based on specification and drawings as they apply to the particular installation. Please call our office for further details that can be forwarded to architects and design consultants. Information and specifications can be provided on pump turnover rates, filtration rates, water velocity, heating, auto sanitation and proof of compliancy that meets or exceeds the requirements of the VGB safety Act.

Commercial Spas
6315 - 202 St. Langley BC, Canada
Tel: 604 514 8111 | www.coastspas.com